

APPLICATION TECHNOLOGY



2024 / 2025

ABOUT US



Machines and Application Technology – delivered from one supplier

Sprimag develops and manufactures automated coating and lacquering units for **functional and decorative coating** of mass-produced parts or for **internal coating** of metal packagings such as tubes, cans and beverage bottles. In our opinion, persuasive products and competent service belong together. Therefore, Sprimag is not only dedicating to manufacture complete systems, but also being an active partner, supporting you and your production process.

Thus, together with our spray guns we can deliver accessories and connection techniques, as well as diaphragm pumps, up to complete material supplies. In the Sprimag own Applications Center (see picture above) engineers are working at the most different developments and permanently optimize our application technology. Together with our customers we can so deliver complete balanced solutions from one supplier.

Spray guns – a Sprimag specialty

In 1906 Otto Heinrich, the Sprimag founder, patented the first spray gun. Today, over 100 years later, Sprimag still develops

own spray guns, which perfectly meet the requirements demanded by today's machine technology.

Sprimag offers special configured spray guns for the most difficult and varied applications and paints. These are basically divided into two categories: The **external spray gun** for coating surfaces and the **internal spray gun**, which is equipped with an extended nozzle to spray parts internally e.g. tubes or cans.

All Sprimag spray guns are made of solvent and acid-proof materials; therefore they are also suitable for the use of water-based paints. The piston seals are manufactured from non-reactive solvent-resistant plastic, and hence do not require any (re)adjustment. On activation of the spray gun, first the control piston moves allowing atomizing air to reach the nozzle, before further moving to allow the paint to flow. Thus, ensuring that from the start, the paint is properly atomized and the spray pattern is controlled.

INDEX

1 EXTERNAL SPRAY GUNS

- 4 S-7MD**
 - 4 External spray gun S-7MD-M, quick change holder
 - 5 Spare parts, nozzle sets
- 6 S-7S**
 - 6 External spray gun S-7S-M, nozzle sets
 - 7 Spare parts, replacement kit, quick change holder
- 8 S-7**
 - 8 External spray gun S-7-M and S-7-K
 - 9 Spare parts, quick change holder, nozzle sets
- 10 S-333**
 - 10 External spray gun S-333
 - 10 External spray gun S-333 with lockable air cap
 - 11 Spare parts, nozzle sets
- 12 S-233**
 - 12 External spray gun S-233, spare parts, nozzle sets
- 13 S-433**
 - 13 Small spray gun S-433
 - 13 Spare parts, quick change holder, nozzle sets

2 INTERNAL SPRAY GUNS

- 14 S-7MD**
 - 14 Internal spray gun S-7MD-M, quick change holder
 - 15 Spare parts, nozzle extension sets
- 16 S-8**
 - 16 Internal spray gun S-8-M
 - 17 Spare parts, nozzle extension sets
- 18 S-7**
 - 18 Internal spray gun S-7-M and S-7-K
 - 19 Spare parts, quick change holder, nozzle extension sets
- 20 S-233**
 - 20 Internal spray gun S-233, spare parts
 - 21 Nozzle extension sets
- 23 S-540**
 - 23 Centrifugal gun S-540
 - 23 Spare parts, nozzle sets and centrifugal nozzles

3 SPRAY GUN CONNECTIONS + ACCESSORIES

- 24 Air and paint hoses**
- 25 Spray gun holders**
- 26 Connectors for spray guns**
- 27 Spray gun accessories**
 - 27 Dump valves, laser pointer
 - 28 Spray gun cover, cleaning set, chain oil, sprimaLube

4 EQUIPMENT ACCESSORIES

- 29 V-belt**
- 29 Starter tool kit**
- 29 Paint stop filter mat**

5 MATERIAL SUPPLIES

- 30 2K- /3K-mixing unit sprimix II**
- 31 User interface sprimix II**
- 31 Mixing unit**
- 32 easyChange color change system**
- 32 Media valves**
- 33 Small volume supply unit**
- 33 Stirrer**
- 34 Pressure cup on spray gun**
- 34 Material supply with paint heater**
- 35 Material supply with swiveling lid lifting mechanism**
- 35 Material supply for 200 l container**

6 MATERIAL PRESSURE REGULATORS

- 36 Fluid pressure regulators and fluid back pressure regulators**
 - 36 Spare parts, wear parts

7 PUMPS

- 37 Diaphragm pump MP-SP2**
 - 37 Spare parts, accessories

8 AIR MOTOR

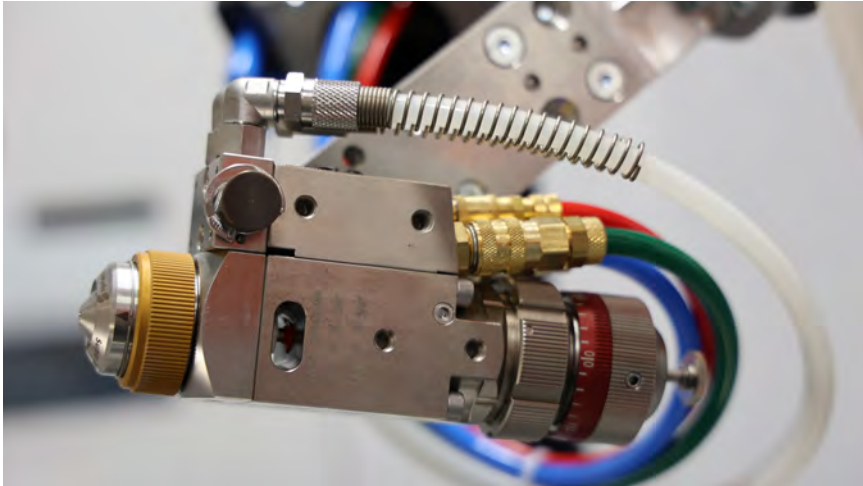
- 38 Air motor easyDrive 1800**

9 MATERIAL FILTERS

- 39 Inline filter**
- 39 Circulation filter**

1 EXTERNAL SPRAY GUNS

S-7MD External Spray Gun



As the front-runner in the latest generation of spray guns the S-7MD offers many major and minor improvements.

The S-7MD achieves higher productivity and improved coating quality due to its immediate creation of the required spraying pattern. It features a large control window for the needle seal for optimized separation between the ink and pneumatic parts. It also contains an improved material flow adjustment

S-7MD-M External spray gun with manual paint volume flow adjustment

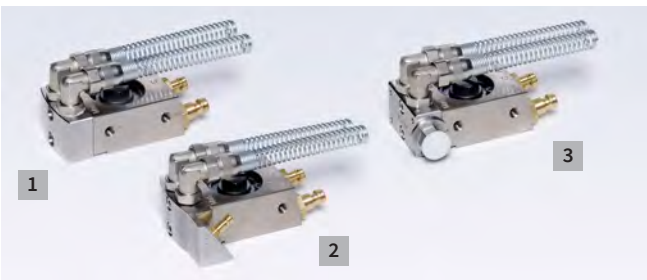


The manual paint volume flow can be adjusted at the spray gun, this provides a reproducible setting of the needle stroke.

The S-7MD-M is available in the following variations:

S-7MD without nozzle set	Part no.
S-703MD-M with paint and nozzle circulation (allows paint circulation to the very tip of the nozzle, especially useful for paints which have the tendency to sedimentation, or paints that must be applied warm)	63260176
S-703MD Connection kit Please request content	63213016
S-703MD Tool kit Please request content	63263504

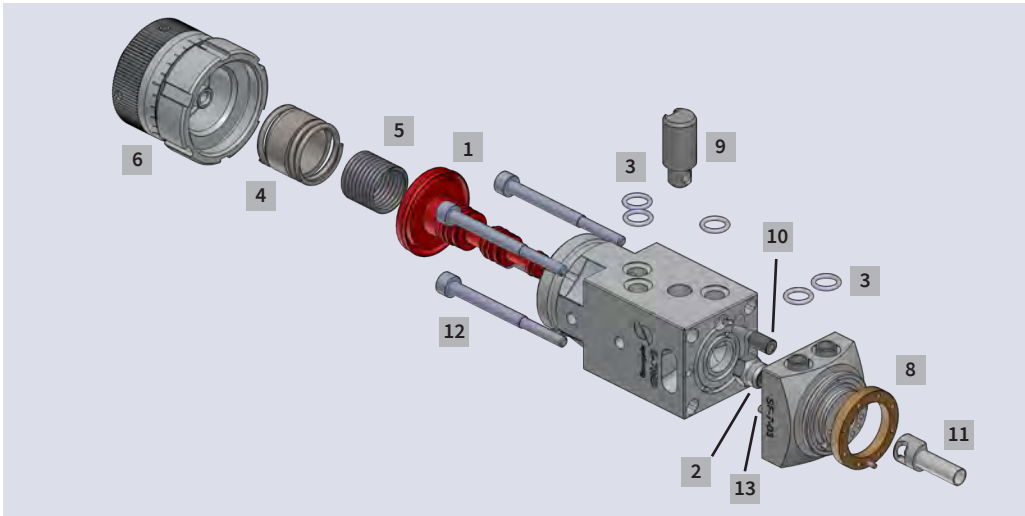
Quick change holder for internal spray gun S-7MD



Ideal for easy separation of the spray gun body from the connections. The exchange can be performed quickly and easily, whilst preserving the pre-set positions.

Quick change holder for S-7MD	Part no.
1 SA-7-10 standard	52334934
2 SA-7-30 dump valve	52334936
3 SA-7-20 paint stop	52334935

Spare parts for external spray gun S-7MD



Pos	Part	Description / Material	Part no.
1 a	Piston in standard version	Solvent-resistant plastic	63252257
1 b	Piston with integrated blow-off	Solvent-resistant plastic	63252259
2	Bushing	Solvent-resistant plastic	52082136
3	O-Rings	Solvent-resistant plastic	63206674
4	Pressure spring for piston	Stainless steel	63253347
5	Pressure spring for needle	Stainless steel	50044628
6	Paint volume flow adjustment 60	Manual adjustment ratchet for S-7MD	63253158
8	Air distribution ring	Brass	52332346
9	Tension bolt	Stainless steel	52334764
10	Taper pin	Stainless steel	52334763
11	Circulation insert (only for S-703MD version)	Stainless steel	52334811
12	Allen screws	Stainless steel	63260214
13	Centering pin	Stainless steel	51060591
	Wear part kit with piston in standard version	Please request content	63264234
	Wear part kit with integrated blow-off	Please request content	63269943

Nozzle sets for external spray gun S-7MD



S-7MD Bore D	solvent-based paints SuperJet BS / NK	water-based paints	
		Jet 	SuperJet BS 
0,3 mm	63260249	63265676	63260235
0,5 mm	63260250	63265678	63260236
0,8 mm	63260251	63265679	63258328
1,0 mm	63260252	63265680	63260237
1,5 mm		63265681	63260238

The nozzle sets are equipped with a lockable air cap and consist of a nozzle, air cap and needle.

- Jet** nozzle with fine atomization (for water based paint)
- SuperJet BS** nozzle with very fine atomization and integrated bores for fan air (for water based paint)
- SuperJet BS / NK** robust version of SuperJet BS (for solvent based paint)

1 EXTERNAL SPRAY GUNS

S-7S External Spray Gun



Sprimag has further developed the established spray gun model S-7. The result is the S-7S, whose basic modules are identical to the previous version, thus the user-friendly and modular design is continued.

The RP set of nozzles allows a very fine atomization with the lowest air pressure.

A measurable reduction of the failure rate, as well as a very large and uniform broad jet can be achieved with the new generation of nozzles. By reducing air consumption, energy costs can be saved.

S-7S-M External spray gun with manual paint volume flow adjustment



The manual paint volume flow can be adjusted at the spray gun, this provides a reproducible setting of the needle stroke. The S-7S-M is available in the following variations:

S-7S-M without nozzle set	Part no.
S-701S-M with paint circulation, without nozzle circulation (e.g. paint supply with circulation, multiple spray guns connected in series etc.)	52335818
S-702S-M without paint circulation (e.g. pressure vessel, mixing unit etc.)	52335819
S-703S-M with paint circulation and nozzle circulation (allows paint circulation to the very tip of the nozzle, especially useful for paints which have the tendency to sedimentation, or paints that must be applied warm)	52335820
S-704S-M with dump valve (e.g. for systems with stitch line, as in 2K/3K mixing units. Speeds up the rinsing of the spray gun and of the fluid lines)	63204224
S-7S Connection kit Please request content	63213016
S-7S Toolkit Please request content	52334972

Nozzle sets for external spray gun S-7S

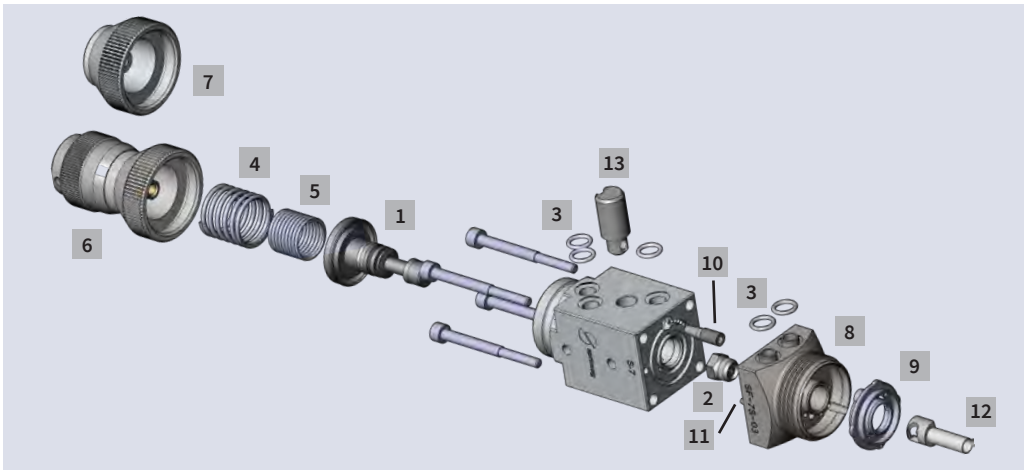
With the new jet generation **RP®** and **HVLP** all modern coating systems are processed. These innovative nozzles provide optimal atomization with a wider and softer spray jet. The air consumption can be reduced significantly.



RP®	S-7S M	HVLP	S-7S M
			
0,3 mm	52335700	0,3 mm	52335716
0,5 mm	52335704	0,5 mm	52335717
0,8 mm	52335708	0,8 mm	52335718
1,1 mm	52335709	1,0 mm	52335720
1,3 mm	52335710	1,2 mm	52335721
1,5 mm	52335712	1,6 mm	52335722
1,7 mm	52335713	2,0 mm	52335724
2,0 mm	52335714		

The nozzle sets consist of a nozzle, air cap and needle.

Spare parts for external spray gun S-7S



The modular design of the S-7 series allows retooling of the S-7 spray gun to the new S-7S by simple exchanging the color part.

Pos	Part	Description / Material	Part no.
1	Piston	Solvent-resistant plastic	50486205
2	Bushing	Solvent-resistant plastic	52082136
3	O-Rings	Solvent-resistant plastic	63206674
4	Pressure spring for piston	Stainless steel	50044601
5	Pressure spring for needle	Stainless steel	50044628
6	Paint volume flow adjustment 80	Manual adjustment ratchet for S-7S-M	52331071
7	Spring cap	Paint volume flow adjustment with material pressure regulator for S-7S K	52334719
8	Color section	SF-7S-01 for paint circulation SF-7S-02 for sitch-line SF-7S-03 for paint circulation SF-7S-04 for the use with dump valve	52334977 52334978 52334979 52334954
9	Air distribution ring	Solvent-resistant plastic	51203375
10	Taper pin	Stainless steel	52334763
11	Centering pin	Stainless steel	51060591
12	Circulation insert	Stainless steel (only for S-703 spray gun)	52334811
13	Tension bolt	Stainless steel	52334764
	Wear part kit	Please request content	63216638
	Wear part kit for air distribution ring		63204651

Replacement kit for air distribution ring S-7S



In case of damage and leakage of the air distribution ring it should be replaced with a new one. The replacement kit contains three air distribution rings, an extraction tool and one user manual.

Replacement kit for air distribution ring S-7S	Part no.
	63204651

Quick change holder for external spray gun S-7S



Ideal for easy separation of the spray gun body from the connections. The exchange can be performed quickly and easily, whilst preserving the pre-set positions.

Quick change holder for S-7S	Part no.
1 SA-7-10 standard	52334934
2 SA-7-30 dump valve	52334936
3 SA-7-20 paint stop	52334935

1 EXTERNAL SPRAY GUNS

S-7 External Spray Gun



The Sprimag spray gun S-7 is an automatic spray gun with pneumatic atomization of paints. Through its user-friendly modular design and its well-proven technique and functionality it offers significant advantages compared to its predecessors, the S-233 and S-333 spray guns.

S-7-M External spray gun with manual paint volume flow adjustment



The manual paint volume flow can be adjusted at the spray gun, this provides a reproducible setting of the needle stroke. The S-7-M is equipped with a lockable air cap and available in the following variations:

S-7 M without nozzle set	Part no.
S-701 M with paint circulation, without nozzle circulation (e.g. paint supply with circulation, multiple spray guns connected in series etc.)	52334702
S-702 M without paint circulation (e.g. pressure vessel, mixing unit etc.)	52334770
S-703 M with paint circulation and nozzle circulation (allows paint circulation to the very tip of the nozzle, especially useful for paints which have the tendency to sedimentation, or paints that must be applied warm)	52334708
S-704 M with dump valve (e.g. for systems with stitch line, as in 2K / 3K mixing units. Speeds up the rinsing of the spray gun and of the fluid lines)	52334780
S-7 Connection kit Please request content	63213016
S-7 Tool kit Please request content	52334972

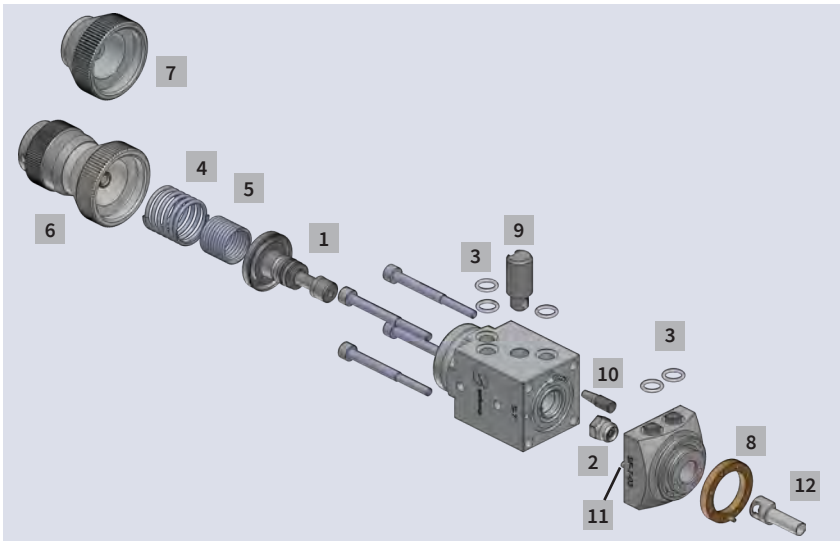
S-7-K External spray gun without manual paint volume flow adjustment



The application rate on the S-7 K may be adjusted by varying the material pressure. Due to the elimination of the manual paint volume flow adjustment the spray gun is particularly short. The S-7 K is equipped with a lockable air cap and is available in the following variations:

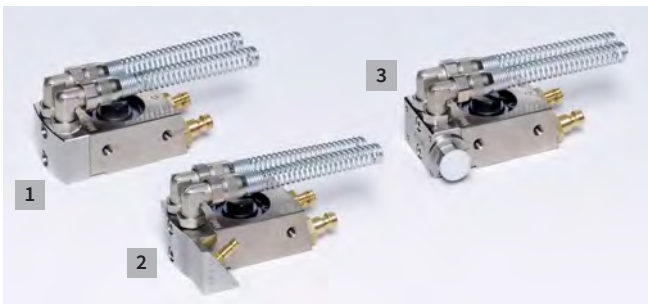
S-7 K without nozzle set	Part no.
S-701 K with paint circulation, without nozzle circulation (e.g. paint supply with circulation, multiple spray guns connected in series etc.)	52334701
S-702 K without paint circulation (e.g. pressure vessel, mixing unit etc.)	52334705
S-703 K with paint circulation and nozzle circulation (allows paint circulation to the very tip of the nozzle, especially useful for paints which have the tendency to sedimentation, or paints that must be applied warm)	52334707
S-704 K with dump valve (e.g. for systems with stitch line, as in 2K / 3K mixing units. Speeds up the rinsing of the spray gun and of the fluid lines)	52334779
S-7 Connection kit Please request content	63213016
S-7 Tool kit Please request content	52334972

Spare parts for external spray gun S-7



1 Piston	Part no.
Solvent-resistant plastic	50486205
2 Bushing	Part no.
Solvent-resistant plastic	52082136
3 O-Rings	Part no.
Solvent-resistant plastic	63206674
4 Pressure spring for piston	Part no.
Stainless steel	50044601
5 Pressure spring for needle	Part no.
Stainless steel	50044628
6 Paint volume flow adjustment 80	Part no.
Manual adjustment ratchet for S-7-M	52331071
7 Spring cap	Part no.
Paint volume flow adjustment with material pressure regulator for S-7S-K	52334719
8 Locking ring	Part no.
Brass	52332346
9 Tension bolt	Part no.
Stainless steel	52334764
10 Taper pin	Part no.
Stainless steel	52334763
11 Centering pin	Part no.
Stainless steel	51060591
12 Circulation insert	Part no.
Stainless steel (only for S-703 spray gun)	52334811
S-7 Wear part kit	Part no.
Please request content	52334750

Quick change holder for external spray gun S-7



Ideal for easy separation of the spray gun body from the connections. The exchange can be performed quickly and easily, whilst preserving the pre-set positions.

Quick change holder for S-7S	Part no.
1 SA-7-10 standard	52334934
2 SA-7-30 dump valve	52334936
3 SA-7-20 paint stop	52334935

Nozzle sets for external spray gun S-7



The nozzle sets are equipped with a lockable air cap and compatible for the S-333 external spray gun.

NK 95 (HVLP)	minimized Overspray
HK / NK	little overspray / good atomization
Jet / NK	very fine atomization
Hydro	lower paint disposal at the nozzle outside
Jet	like Hydro, with fine atomization
Super Jet	like Hydro, with very fine atomization – only circular jet
SuperJet BS	like Hydro, but with very fine atomization and integrated bores for fan air

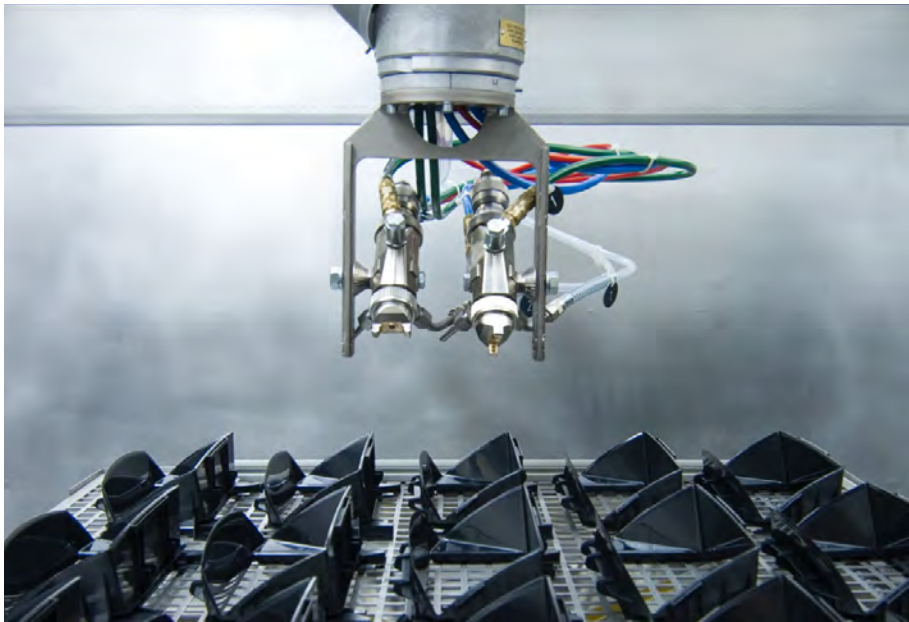
S-7M Bore D	solvent-based paints			water-based paints			
	NK 95	HK / NK	Jet / NK	Hydro	Jet	SuperJet	SuperJet BS
0,3 mm	52333306	52333305	63234690	52333388	52333401	52333416	63233584
0,5 mm	52333337	52333332	63234691	52333347	52333402	52333369	63225886
0,8 mm	52333336	52333331	63234692	52333364	52333403	52333421	63225882
1,0 mm	52333316	52333351	63234693	52333376	52333404	52333427	63235393
1,2 mm	52333433	52333308	63234694	52333378	52333405	52333428	

The nozzle sets consist of a nozzle, air cap and needle.

More nozzle sets and special kits are available on request.

1 EXTERNAL SPRAY GUNS

S-333 External Spray Gun



The external spray gun S-333 is suitable for all coating agents such as water-based paints, solvent paints, UV-paints, soft paints, enamels, emulsions etc.

S-333 External spray gun



The spray gun S-333 may be fed either directly or by a paint circulation system. The piston seals are manufactured from non-reactive solvent-resistant plastic and hence require no (re)adjustment. On activation of the spray gun, the control piston first moves to allow atomizing air to reach the nozzle before moving further to allow the paint to flow. Thus, ensuring that from the very start, the paint is properly atomized and the spray pattern is controlled.

S-333 without nozzle set	Part no.
Standard	52333333
S-333 Connection kit Please request content	63213015

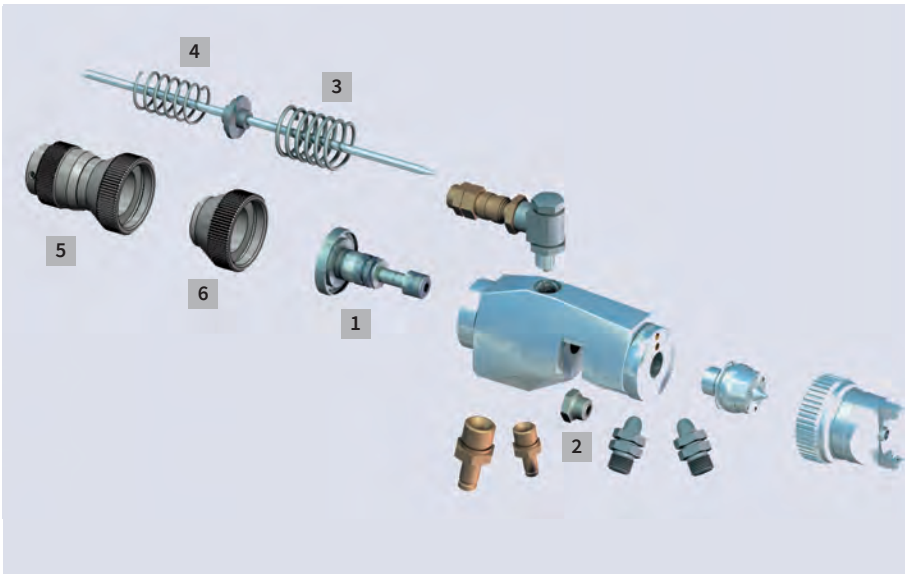
S-333 External spray gun with lockable air cap



Now the well-proven spray gun S-333 is also available with a lockable air cap. The advantage is, after unscrewing, rinsing and re-installing the air cap, the cap is returned to exactly the same position it was before disassembly. Thus, the positioning of the air cap is absolutely reproducible, i.e. the same spray pattern at the same position is reproduced. Time-consuming adjustments after rinsing are no longer necessary.

S-333 without nozzle set	Part no.
With lockable air cap and nozzle circulation nipple	52333359

Spare parts for external spray gun S-333



1 Piston	Part no.
Solvent-resistant plastic	50486205
2 Bushing	Part no.
Solvent-resistant plastic	52082136
3 Pressure spring for piston	Part no.
Stainless steel	50044601
4 Pressure spring for needle	Part no.
Stainless steel	50044628
5 Paint volume flow adjustment 80 digits	Part no.
Manual adjustment ratchet	52331071
6 Spring cap	Part no.
Paint volume flow adjustment with material pressure regulator	52334719
S-333 Wear part kit	Part no.
Please request content	52108435

Nozzle sets for external spray gun S-333



The nozzle sets are equipped with a lockable air cap and compatible for the S-7 external spray gun.

NK 95 (HVLP)	minimized Overspray
HK / NK	little overspray / good atomization
Jet / NK	very fine atomization
Hydro	lower paint disposal at the nozzle outside
Jet	like Hydro, with fine atomization
Super Jet	like Hydro, with very fine atomization – only circular jet
SuperJet BS	like Hydro, but with very fine atomization and integrated bores for fan air

S-333 Bore D	solvent-based paints			water-based paints			
	NK 95	HK / NK	Jet / NK	Hydro	Jet	SuperJet	SuperJet BS
0,3 mm	52333306	52333305	63234690	52333388	52333401	52333416	63233584
0,5 mm	52333337	52333332	63234691	52333347	52333402	52333369	63225886
0,8 mm	52333336	52333331	63234692	52333364	52333403	52333421	63225882
1,0 mm	52333316	52333351	63234693	52333376	52333404	52333427	63235393
1,2 mm	52333433	52333308	63234694	52333378	52333405	52333428	

The nozzle sets consist of a nozzle, air cap and needle.

More nozzle sets and special kits are available on request.

1 EXTERNAL SPRAY GUNS

S-233 External Spray Gun



S-233 is the well-proven predecessor of the S-333. Thinner layer thicknesses are possible by especially fine atomization of the paint. The particularly thin layers reduce the consumption of paint. The design and materials of the S-233 offer the same advantages as the S-333.

S-233 without nozzle set	Part no.
With a separate broad jet connection	52330011
With manuell broad jet adjustment	52330008
S-233 Connection kit	Part no.
Please request content	63213015

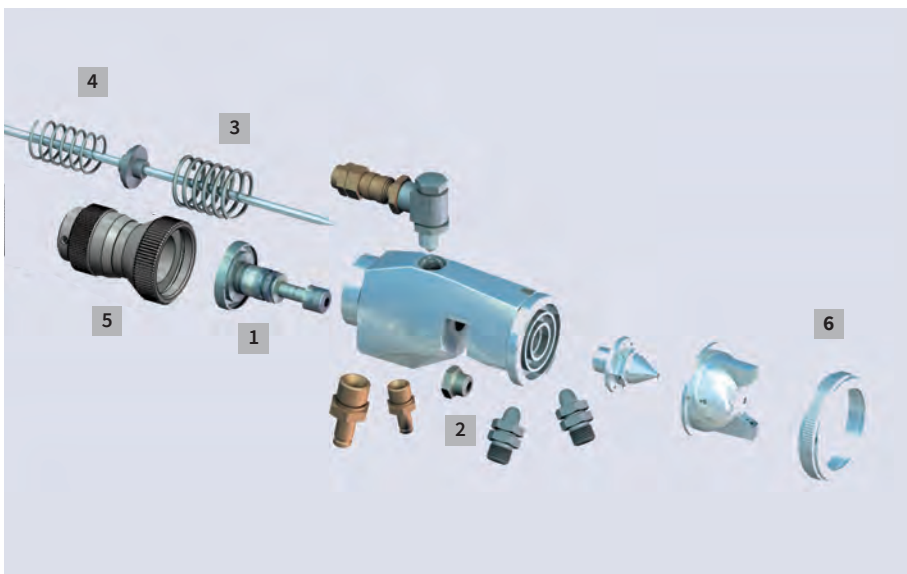
Nozzle sets for external spray gun S-233



The nozzle set consists of a nozzle, air cap and needle.

Nozzle bore D	S-233
0,3 mm	52055058
0,5 mm	52044030
0,8 mm	52028433
1,0 mm	52028174
1,5 mm	52028190

Spare parts for external spray gun S-233



1 Piston	Part no.
Solvent-resistant plastic	50486205
2 Bushing	Part no.
Solvent-resistant plastic	52082136
3 Pressure spring for piston	Part no.
Stainless steel	50044601
4 Pressure spring for needle	Part no.
Stainless steel	50044628
5 Paint volume flow adjustment 80	Part no.
Manual adjustment ratchet	52331071
6 Ring	Part no.
Plain	53009890
S-233 Wear part kit	Part no.
Please request content	52108435

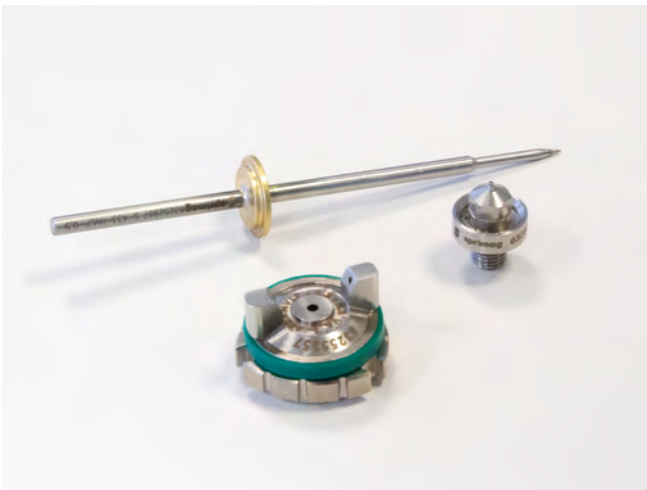
S-433 Small Spray Gun



The small spray gun S-433 is used in cases where the parts have to be coated with a small amount of coating material. The length of the spray gun is 110 mm compared to a standard spray gun with 170 mm. Due to its light and compact design it is possible to coat especially small parts very accurately.

S-433	Part no.
Without nozzle set	52334020

Nozzle sets and spare parts for small spray gun S-433



The nozzle set consists of a nozzle, air cap and needle.

Nozzle bore D	S-433
0,3 mm	63252850
0,5 mm	63252851
0,8 mm	63252852

Piston	Part no.
Solvent-resistant plastic	52334030
Bushing	Part no.
Solvent-resistant plastic	52082136
Pressure spring for piston	Part no.
Stainless steel	51090239
Pressure spring for needle	Part no.
Stainless steel	51090238
O-Ring	Part no.
Solvent-resistant plastic	63205005
Tooth disc	Part no.
	52331188
S-433 Wear part kit	Part no.
Please request content	63231385

Quick change holder for small spray gun S-433



The integrated quick release mechanism is a distinctive feature of the S-433. It allows a quick and easy separation of the spray gun body from the connections such as compressed air hoses which are connected to an adapter plate. The pre-set position remains preserved.

Quick change holder for S-433	Part no.
	52334031

2 INTERNAL SPRAY GUNS

S-7MD Internal Spray Gun



As the front-runner in the latest generation of spray guns the S-7MD offers significant advantages for the internal coating.

- Optimized circulation resistance in the paint tube
- Less contamination thanks to optimized geometry at the end of the air tube
- Improved ergonomics: Polygonal union nut at the air tube and associated tooling

S-7MD-M Internal spray gun with manual paint volume flow adjustment

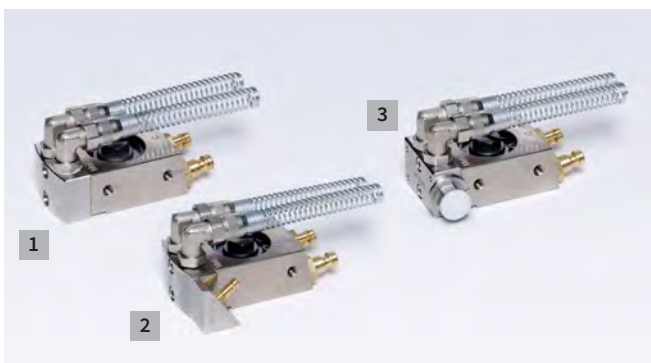


The manual paint volume flow can be adjusted at the spray gun, this provides a reproducible setting of the needle stroke.

The S-7MD is available in the following variations:

S-703MD without nozzle set	Part no.
S-703MD-M with paint circulation and nozzle circulation (allows paint circulation to the very tip of the nozzle, especially useful for paints which have the tendency to sedimentation, or paints that must be applied warm)	63260176
S-703MD Connection kit Please request content	63213016
S-703MD Tool kit Please request content	63263504

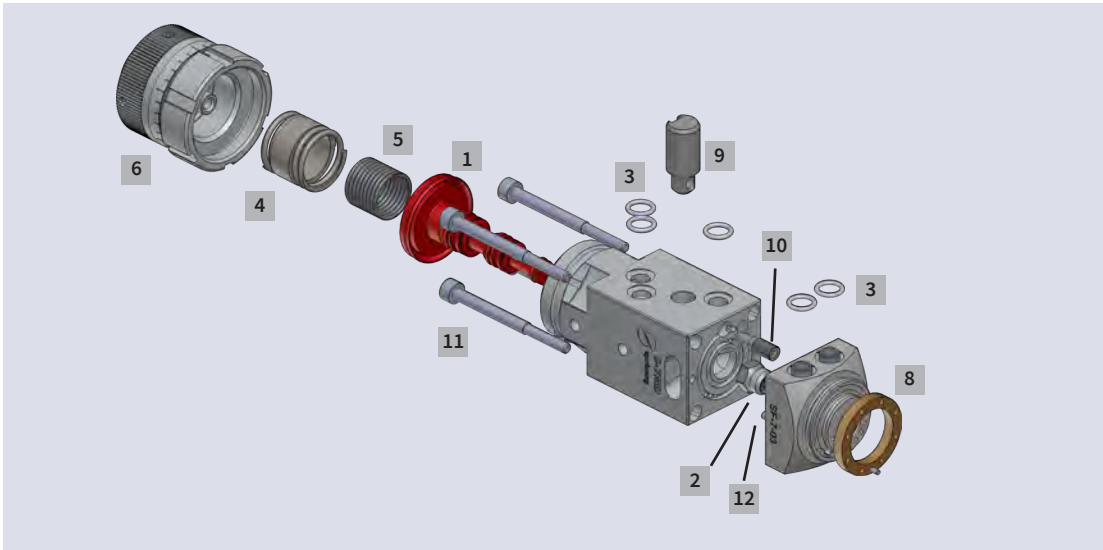
Quick change holder for internal spray gun S-7MD



Ideal for easy separation of the spray gun body from the connections. The exchange can be performed quickly and easily, whilst preserving the pre-set positions.

Quick change holder for S-7MD	Part no.
1 SA-7-10 standard	52334934
2 SA-7-30 dump valve	52334936
3 SA-7-20 paint stop	52334935

Spare parts for internal spray gun S-7MD



Pos	Part	Description / Material	Part no.
1 a	Piston in standard version	Solvent-resistant plastic	63252257
1 b	Piston with integrated blow-off	Solvent-resistant plastic	63252259
2	Bushing	Solvent-resistant plastic	52082136
3	O-Rings	Solvent-resistant plastic	63206674
4	Pressure spring for piston	Stainless steel	63253347
5	Pressure spring for needle	Stainless steel	50044628
6	Paint volume flow adjustment 60	Manual adjustment ratchet for S-7MD	63253158
8	Air distribution ring	Brass	52332346
9	Tension bolt	Stainless steel	52334764
10	Taper pin	Stainless steel	52334763
11	Allen screws	Stainless steel	63260214
12	Centering pin	Stainless steel	51060591
	Wear part kit with piston in standard version	Please request content	63264234
	Wear part kit with piston with integrated blow-off	Please request content	63269943

Nozzle extension sets internal spray gun S-7MD



Model	Form	Description
	A	45° standard, sideway spraying, 1 side air borehole
	H	90° sideway spraying with 2 side air boreholes
	E	20° backward spraying with 2 side air boreholes
	N	Spraying straight ahead without side air boreholes – Round spraying pattern

For inquiries please contact our service department.

2 INTERNAL SPRAY GUNS

S-8 Internal Spray Gun



As the follow-up to the S-233, which has set standards in tube and can internal coating until now, the new S-803 now impresses with attractive features. The new spray gun benefits from enhancements in equipment technology that Sprimag has achieved in other coating processes. These advancements have now also been implemented for use in internal coating machines for aerosol cans.

- Fan air can be set separately
- Paint circulation up to the nozzle tip
- Shorter setup time and faster change of the spray guns
- Concept for reducing air tube contamination
- Several optimized air head versions
- Far more robust paint volume flow control

S-803-M Internal spray gun with manual paint volume flow adjustment



The manual paint volume flow can be adjusted at the spray gun, this provides a reproducible setting of the needle stroke. The S-8 is equipped with a lockable air cap and is available in the following variations:

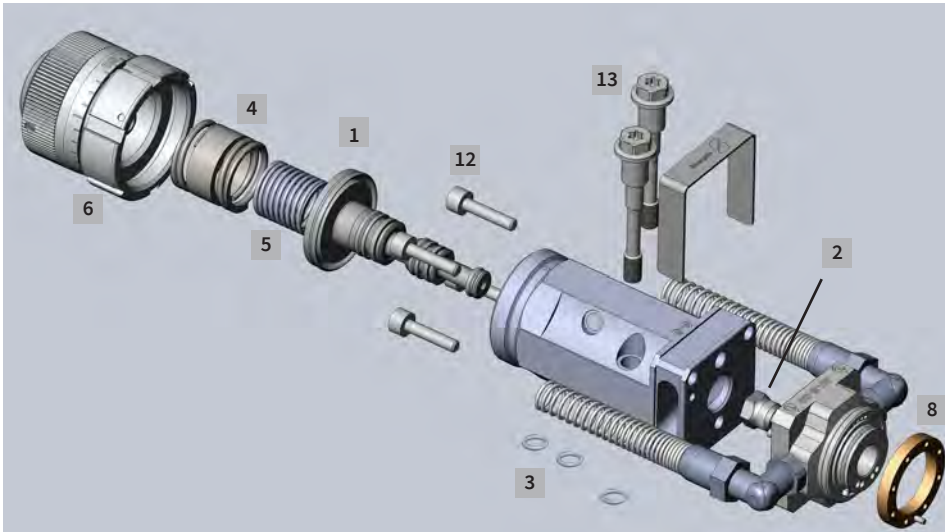
S-8-M without nozzle set

Allows paint circulation to the very tip of the nozzle, especially useful for paints which have the tendency to sedimentation, or paints that must be applied warm

Part no.

S-803-M Piston in standard version	63252254
S-803-MB Piston with integrated blow-off	63252255
S-803 Tool kit Please request content	63263504

Spare parts for internal spray gun S-8



Pos	Part	Description / Material	Part no.
1a	Piston in standard version	Solvent-resistant plastic	63252257
1b	Piston with integrated blow-off	Solvent-resistant plastic	63252259
2	Bushing	Solvent-resistant plastic	52082136
3	O-Rings	Solvent-resistant plastic	63226788
4	Pressure spring for piston	Stainless steel	63253347
5	Pressure spring for needle	Stainless steel	50044628
6	Paint volume flow adjustment 60	Manual adjustment ratchet for S-8	63253158
8	Air distribution ring	Brass	52332346
12	Allen screws	Stainless steel	63224023
13	Mounting screw (Torx or outer hexagon)	Stainless steel	63242417
	Wear part kit with piston in standard version	Please request content	63263502
	Wear part kit with piston with integrated blow-off	Please request content	63263503

Nozzle extension sets internal spray gun S-8



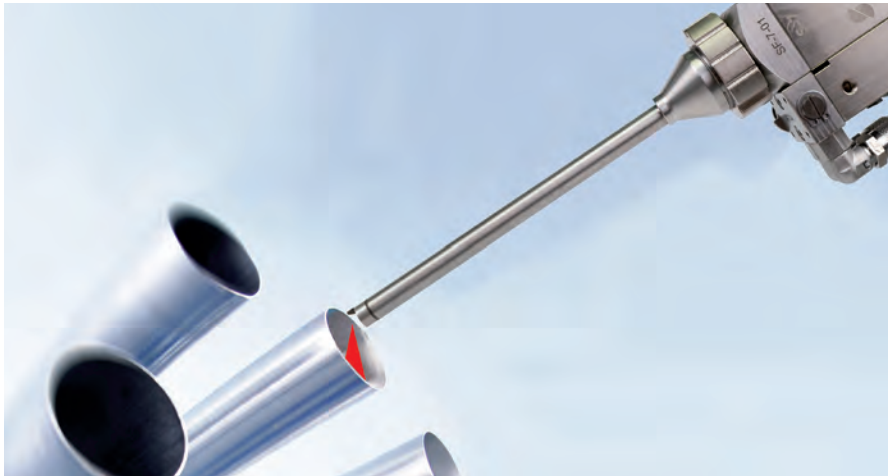
Model	Form	Description
	A	45° standard, sideway spraying, 1 side air borehole
	H	90° sideway spraying with 2 side air boreholes
	E	20° backward spraying with 2 side air boreholes
	N	Spraying straight ahead without side air boreholes – Round spraying pattern

Nozzle extension sets for S-8 with tube for paint circulation to the nozzle tip as standard

For inquiries please contact our service department

2 INTERNAL SPRAY GUNS

S-7 Internal Spray Gun



The Sprimag S-7 spray gun is an automatic spray gun using pneumatic atomization of paint. The internal spray gun is equipped with a nozzle extension and is therefore ideal for internal coating of items such as collapsible tubes or cans. The side air deflection can be regulated externally, separate from the atomizer. The key advantage of the S-7 is its user-friendly, modular design.

Through the simple change of the nozzle set, an external spray gun can be converted to an Internal spray gun.

S-7-M Internal spray gun with manual paint volume flow adjustment

The manual paint volume flow can be adjusted at the spray gun, this provides a reproducible setting of the needle stroke. The S-7-M is equipped with a lockable air cap and is available in the following variations:



S-7-M without nozzle set	Part no.
S-701-M with paint circulation, without nozzle circulation (e.g. lacquer supply with circulation, multiple spray guns connected in series etc.)	52334702
S-702-M without paint circulation (e.g. pressure vessel, mixing unit etc.)	52334770
S-703-M with paint circulation and nozzle circulation (allows paint circulation to the very tip of the nozzle, especially useful for paints which have the tendency to sedimentation, or paints that must be applied warm)	52334708
S-704-M with dump valve	52334780
S-7 Connection kit Please request content	63213016
S-7 Tool kit Please request content	52334572

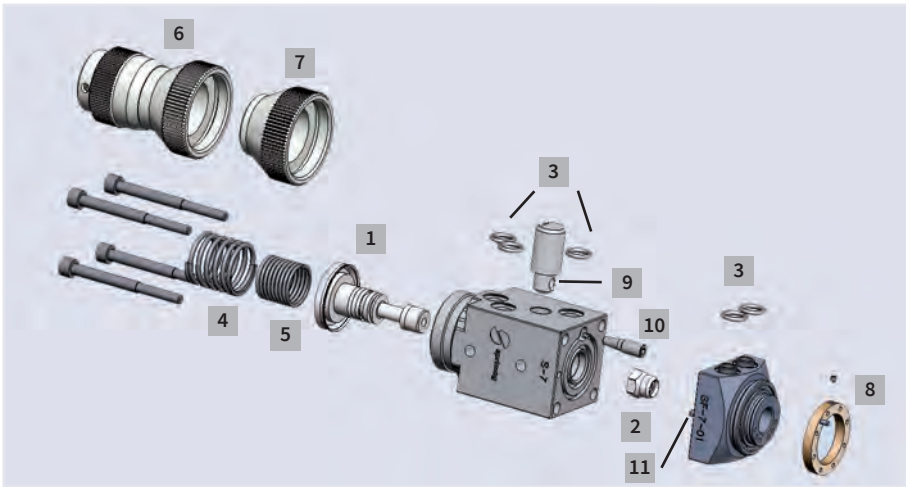
S-7-K Internal spray gun without manual paint volume flow adjustment

The application rate on the S-7 K may be adjusted by varying the material pressure. Due to the elimination of the manual paint volume flow adjustment the spray gun is particularly short. The S-7-K is equipped with a lockable air cap and is available in the following variations:



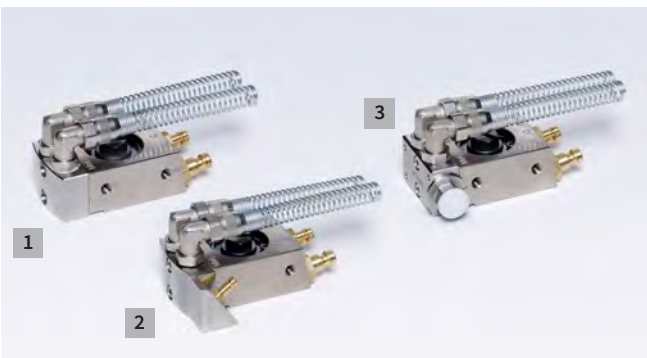
S-7-K without nozzle set	Part no.
S-701-K with paint circulation, without nozzle circulation (e.g. lacquer supply with circulation, multiple spray guns connected in series etc.)	52334701
S-702-K without paint circulation (e.g. pressure vessel, mixing unit etc.)	52334705
S-703-K with paint circulation and nozzle circulation (allows paint circulation to the very tip of the nozzle, especially useful for paints which have the tendency to sedimentation, or paints that must be applied warm)	52334707
S-704-K with dump valve	52334779
S-7 Connection kit Please request content	63213016
S-7 Tool kit Please request content	52334572

Spare parts for internal spray gun S-7



1 Piston	Part no.
Solvent-resistant plastic	50486205
2 Bushing	Part no.
Solvent-resistant plastic	52082136
3 O-Rings	Part no.
Solvent-resistant plastic	63206674
4 Pressure spring for piston	Part no.
Stainless steel	50044601
5 Pressure spring for needle	Part no.
Stainless steel	50044628
6 Paint volume flow adjustment 80 digits	Part no.
Manual adjustment ratchet for S-7-M	52331071
7 Spring cap	Part no.
Paint volume flow adjustment with material pressure regulator, for S-7-K	52334719
8 Locking ring	Part no.
Brass	52332346
9 Tension bolt	Part no.
Stainless steel	52334764
10 Taper pin	Part no.
Stainless steel	52334763
11 Centering pin	Part no.
Stainless steel	51060591
O-Ring	Part no.
O-Ring for paint tube	63226921
S-7 Wear part kit	Part no.
Please request content	52334750

Quick change holder for internal spray gun S-7



Ideal for easy separation of the spray gun body from the connections. The exchange can be performed quickly and easily, whilst preserving the pre-set positions.

Quick change holder for S-7	Part no.
1 SA-7-10 standard	52334934
2 SA-7-30 dump valve	52334936
3 SA-7-20 paint stop	52334935

Nozzle extension sets internal spray gun S-7



Available in the nozzle lengths (mm):
50 – 100 – 150 – 200 – 250 – 300 – 400

Each available in nozzle size (mm):
0,3 – 0,5 – 0,8 – 1,0 – 1,5

Model	Form	Description
	A	45° standard, sideways spraying, 1 side air borehole
	B	45° sideways spraying with 2 side air boreholes
	H	90° sideways spraying with 2 side air boreholes
	E	20° backward spraying with 2 side air boreholes
	N	Spraying straight ahead without side air boreholes – Round spraying pattern

NEW: Now also available with nozzle circulation!

For inquiries please contact our service department.

2 INTERNAL SPRAY GUNS

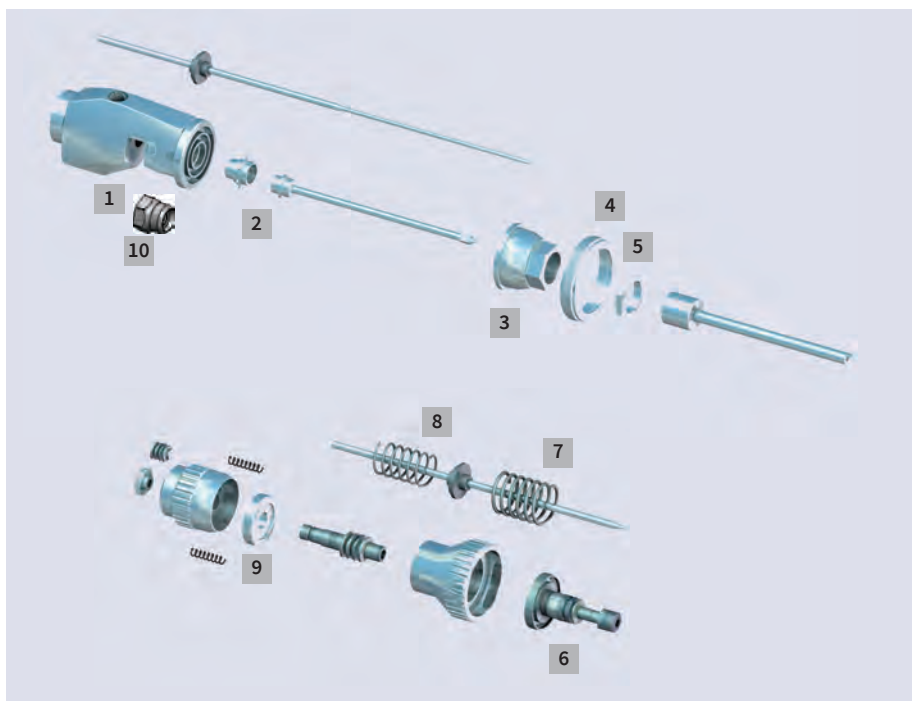
S-233 Internal Spray Gun



The body of the internal spray gun S-233 with nozzle extension is the same as the conventional spray gun S-233. The nozzle extension is used for the internal coating of items such as collapsible tubes or cans. The high-pressure technology used by all S-233 type spray guns allows the finest atomization.

S-233 without nozzle set	Part no.
Standard	52330032
S-233-2 without nozzle set	Part no.
For quick change holder (only for HIL)	52331005
S-233 Connection kit	Part no.
Please request content	63213015

Spare parts for internal spray gun S-233



Spare parts S-233	Part no.
1 Body	52330016
2 Connection	50308455
3 Head	50835226
4 Ring	50835188
5 Union nut	50835234
6 Piston	50486205
7 Pressure spring D22	50044601
8 Pressure spring D18	50044628
9 Tooth disc	50309036
10 Piston seals	52082136
S-233 Wear part kit Please request content	52108435

Nozzle extension sets internal spray gun S-233



Nozzle bores in mm

0,3	0,5	0,8	1,0	1,5
-----	-----	-----	-----	-----

When ordering always mention spray gun version, model, nozzle extension length L, diameter D and nozzle bore d.

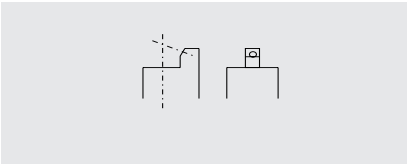
Example of order:

Version:	S-233
Model:	A
Length L:	200
Diameter D:	7
Nozzle bore d:	1.0

Nozzle Extension Sets S-233

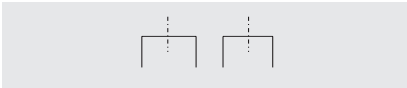
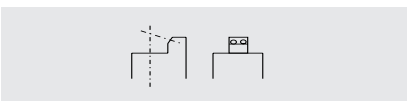
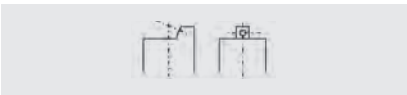
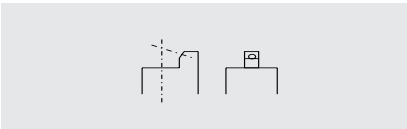
Standard product range in stock

Nozzle Extension Sets Outer Diameter D5



Model	Length in mm	Nozzle Diameter in mm			
		0,5	0,8	1,0	1,5
A		45° standard version			
	50	52104153	50315745		
	100	50753408	50311928	50721166	
	150	50816728	50311960	50824330	
	200	52100567	50312002	52105923	
	250	52151112	52104131	52151114	
G		spraying straight ahead with 6 side air boreholes			
	50	52107198	50824410		
	100	50816701	50824216	50824232	
	150	50784460	50801445	50824437	
	200	50824452	50824453	50824454	
	250	52116072	52104135	52105944	

Nozzle Extension Sets Outer Diameter D7

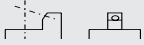

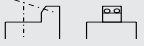
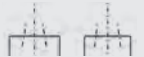
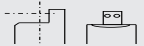



Model	Length in mm	Nozzle Diameter in mm			
		0,5	0,8	1,0	1,5
A		45° standard version			
	150	50315818	50315826	50315834	50315850
	200	50315869	50315877	50315885	50315907
	250	50315176	50315915	50315923	50315940
	300	50859036	50862274	50320684	50321060
AD		45° standard version with enlarged nozzle boreholes			
	200	50315958	50315966	50315974	
	250	50315982	50315990	50316008	
	300	50862517	50862525	50727210	
B		45° with 2 side air boreholes			
	200	52107202	52107204	52107206	50747122
	250	52107208	52107210	50862452	50747123
	300	63203176	50862461	63203177	63203178
G		spraying straight ahead with 8 side air boreholes			
	200	50307963	50485381	50801739	50353760
	250	50316016	50475297	50784656	50805424
	300	50859028	53109684	50320685	50784940
N		spraying straight ahead without side air boreholes			
	150	52006553	53105498	50890219	63203193
	200	52107238	50485403	52107240	63203194
	250	63203192	52331268	52102691	50863629

Individual nozzle extensions available on request

2 INTERNAL SPRAY GUNS

Nozzle Extension Sets Outer Diameter D10

Model	Length in mm	Nozzle Diameter in mm			
		0,5	0,8	1,0	1,5
A		45° standard version			
	200	50316180	50316199	50316202	50316229
	250	50316245	50316253	50316261	50316288
	300	50316300	50316318	50316326	50316342
	350	50876534	50876542	50876550	50307998
AD		45° standard version with enlarged nozzle boreholes			
	200	63203135	52107271	52107273	50316598
	250	63203136	50316601	50316610	50316059
	300	63203137	52107269	50319511	52107279
	350	63203138	50859117	50320986	50876837
B		45° with 2 side air boreholes			
	200	52331136	52107251	50721603	52107253
	250	53114790	52107255	52107257	50721581
	300	63203139	52107259	52107261	52106820
	350	63203140	63203242	52331135	50721583
G		spraying straight ahead with 8 side air boreholes			
	200	50848226	52107283	52107285	50848220
	250	52062771	52033984	52089319	52107287
	300	52107481	52331253	52089320	52331254
	350	63203141	63203142	53116219	52332317
H		90° with 2 side air boreholes			
	200		52107263	50319430	50316040
	250		52107265	50753289	50862959
	300		52107267	50859060	50859079
	350				50320633
	400				50320439
N		spraying straight ahead without side air boreholes			
	200	63203145	52089009	52102685	50805386
	250	52331357	63203147	50885304	50319660
	300	63203146	63203148	52331240	52331370
	350	53104014	63203149	63203150	53105449

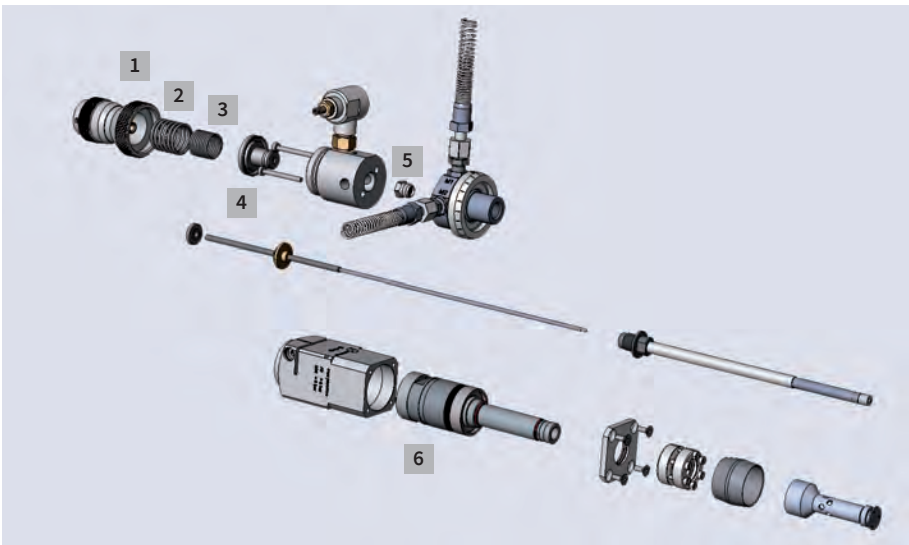
Individual nozzle extensions available on request

S-540 Centrifugal Gun



The centrifugal gun is especially suitable for applying high viscous coating agents such as adhesives or sealants. The centrifugal gun may be fed either directly or by a paint circulation system.

Spare parts for centrifugal gun S-540



Centrifugal gun without nozzle set and centrifugal nozzles		Part no.
S-540 Application:	TGA 250	52335400
Seal ring for aluminum tubes		
S-540-2 Application:	TGA 200	63217433
Seal ring for aluminum tubes		

Modification of TGA 170 with S-540 on request

Spare parts for centrifugal gun S-540	Part no.
1 Paint volume flow adjustment	52331071
2 Pressure spring for piston	50044601
3 Pressure spring for needle	50044628
4 Control piston	52335432
5 Bushing	52082136
6 Flow pipe	52335418

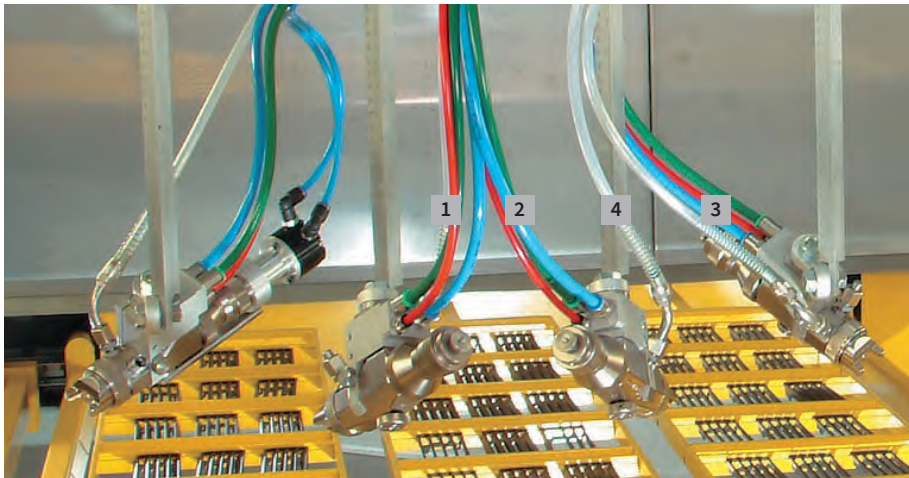
Nozzle sets and centrifugal nozzles for the centrifugal gun S-540

Centrifugal nozzles	Tube Ø	Part no.
S-540 6 star	9-15 mm	52335450
S-540 7 star	9-15 mm	63218198
S-540 9 star	13-19 mm	52335451
S-540 10 star	14-22 mm	52335496
S-540 10 star +	15-25 mm	63212060
S-540 12 star	19-25 mm	52335452
S-540 14 star	19-25 mm	52335479
S-540 14 star +	19-25 mm	52335566
S-540 14 star	22-30 mm	52335458
S-540 16 star +	22-30 mm	52335567
S-540 20 star	28-40 mm	52335459
S-540 20 star +	28-40 mm	52335568
S-540 25 star	35-55 mm	52335476
S-540 30 star	40-60 mm	52335477
S-540 40 star	50-70 mm	63267753
S-540 45 star	55-75 mm	63267754
S-540 50 star	70-90 mm	63267755

Nozzle set (nozzle needle + paint tube)	Tube Ø	Part no.
Nozzle set S-540 0,5 small tubes	9-19 mm	52335444
Nozzle set S-540 0,5 KA small tubes	9-19 mm	63230218
Nozzle set S-540 0,8 small tubes	9-19 mm	52335407
Nozzle set S-540 0,8 KA small tubes	9-19 mm	63230219
Nozzle set S-540 1,0 small tubes	9-19 mm	52335445
Nozzle set S-540 1,0 KA small tubes	9-19 mm	63230220
Nozzle set S-540 0,5 large tubes	19-60 mm	52335442
Nozzle set S-540 0,8 large tubes	19-60 mm	52335443
Nozzle set S-540 1,0 large tubes	19-60 mm	52335406
Nozzle set S-540 1,5 large tubes	19-90 mm	63264289

3 SPRAY GUN ACCESSORIES AND EQUIPMENT

Air and Paint Hoses



Pos.	Color of hose	Application
1	red	Control air
2	blue	Atomizing air
3	green	Broad jet
4	clear/transparent	Paint

Standard hoses at the spray gun

Application	Material	Diameter (outside/inside)	Color	Part no.
Control air	PU	6/4	red	51067602
Atomizing air	PU	8/6	blue	51067792
Broad jet	PU	8/6	green	51067603
Paint – good rinsing	FEP	8/6	clear/transparent	51094839

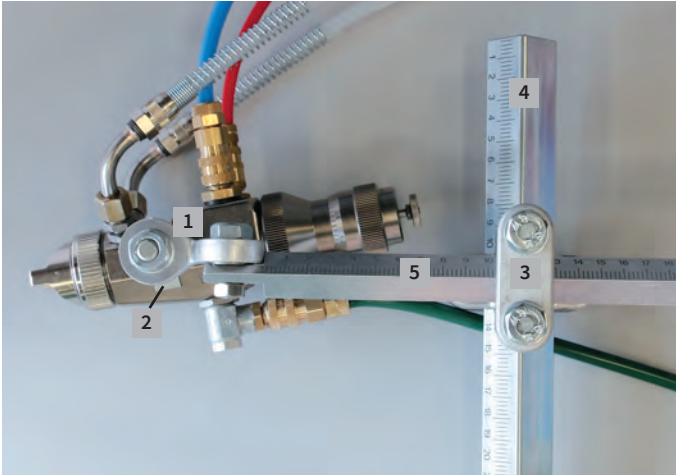
Miscellaneous hoses for compressed air supply

Application	Material	Diameter (outside/inside)	Color	Part no.
Compressed air	PU	6/4	blue	51067791
Compressed air	PU	10/7,5	blue	51067793
Compressed air	PU	12/9	blue	51067794
Compressed air	PU	14/11	blue	51065655
Atomizing air	PE-LD	8/6	blue	51102952
Broad jet	PE-LD	8/6	green	51099980
Control air	PE-LD	6/4	red	51102951
Compressed air	PE-LD	6/4	blue	51202728
Compressed air	PE-LD	6/4	black	51201608
Compressed air	PE-LD	6/4	green	51102953

Miscellaneous hoses for paint supplies

Application	Material	Diameter (outside/inside)	Color	Part no.
Paint - good rinsing	FEP	6/4	clear/transparent	51094838
Paint - good rinsing	FEP	8/6	clear/transparent	51094839
Paint - good rinsing	FEP	10/6	clear/transparent	51099851
Paint - good rinsing	FEP	12/8	clear/transparent	51099654
Paint - good rinsing	FEP	12/9	clear/transparent	51094840
Paint - Standard	PA	8/6	nature	50041599
Paint - Standard	PA	10/6	nature	51099787
Paint - Standard	PA	12/8	nature	63216751
Paint - Standard	PA	12/9	nature	51002422
Paint - Standard	PA	16/13	nature	51096338
Paint - UV	Solvent-resistant plastic	8/6	black	63230353
Paint - UV	PA	8/6	black	63201131
Paint-isolated, UV	EPDM	16/9	black-orange	50145742
Paint-isolated, UV	EPDM	21/13	black-yellow	51064986
Paint-isolated, UV	EPDM/PA	29/19	black	63203558

Spray Gun Holders





Fixing of the bars on the machine





Slide clamp, complete	Part no.
For steel bar 25 x 25	52160377



Reproducible spray gun holders

2 	Holder with scale	Part no.
	Applicable for spray guns: S-333 and S-233	52105450
	Holder for small spray gun	Part no.
	Only applicable for the small spray gun: S-433 bolt M8 / M10	52105489
	Holder for S-7 and S-7S complete with screws	Part no.
	Only applicable for spray gun S-7 (S)	52334758

	Holder without scale	Part no.
	Applicable for spray guns: S-333 and S-233	52105451
1 	Joint	Part no.
	Joint with one scale	52100293
	Joint with additional scale	52334952

Square rods

5 	Aluminum bar with bolt	Part no.
	15x15 200 long	52105490
	15x15 400 long	52105491
	Aluminum bar	Part no.
	15x15 400 long	52100097

4 	Steel bar	Part no.
	25x25 500 long	52100253
	25x25 1000 long	52105492
3 	Cross unit	Part no.
	25 / 25	52100294
	15 / 15	52100296
	25 / 15	52100295

Round rods

	Round spray gun holders	Part no.
	Round, V2A D12 400 long	52116458
	Round, V2A D12 600 long	52150507
	Holder rod	Part no.
	V2A D20 200 long	50499749
	V2A D20 350 long	50492590

Robot fixture




- Robot fixture for one or two spray guns
- Available for Fanuc, ABB, KUKA
 - Flexible alignment of the spray gun
 - Connector for multi-axis cable carrier


Available on request

3 SPRAY GUN ACCESSORIES AND EQUIPMENT


Connectors for Spray Guns


Control air


	Plug-in-nipple	Part no.
	NW2,7 - 1/8", applicable for spray guns: S-7, S-333 and S-233	50136751

	Locking coupling	Part no.
	NW2,7 - 6/4, applicable for spray guns: S-7, S-333 and S-233	50136743

Atomizing air and broad jet

	Plug-in-nipple	Part no.
	NW5 - 1/8", applicable for spray guns: S-7	51067601


	Plug-in-nipple	Part no.
	NW5 - 1/4", applicable for spray guns: S-333 and S-233.	50136778


	Locking coupling	Part no.
	NW5 - 8/6, applicable for spray guns: S-7, S-333 and S-233 Broad jet and atomizing air	50136760


Complete connection kits are listed with the spray guns.


Paint connectors


	Paint connection	Part no.
	R1/8"-M12X1, applicable for spray guns: S-333 and S-233	53012093

	Paint connection	Part no.
	R1/8"-1/4"	53105409


	Lock paint connection	Part no.
	M12X1	53107513


	Hose nipple	Part no.
	straight M12X1, applicable for spray guns: S-333, and S-233	53012042


	Paint connection	Part no.
	R1/8"-3/8"	53105410


	Paint connection	Part no.
	for hose nipple 51102757, applicable for spray guns: S-333, and S-233	53104048


	Paint connection with 3/8" external thread	Part no.
	Hose 8/6 mm Hose DI 9mm	50894915 63219328


	Hose nipple	Part no.
	90° with anti-kink, applicable for S-7 spray gun	51102757

	Double nipple	Artikel-Nr.
	3/8", conical inside	54600107

	Quick change holder, drip stop	Part no.
	Connection 1/4" inside	EPDM 51104416 FFKM 63247055

	Hose nipple	Part no.
	60° M12X1, applicable for spray guns: S-333 and S-233	53012115

	Plug-in-nipple, drip stop	Part no.
	Connection 1/4" inside	EPDM 51104418 FFKM 63247058

	Anti-kink with union nut (stainless steel)	Part no.
	M10X1	63258965
	M12X1	63258966
	M14X1	63258967
	M16X1	63258968

All components that come into contact with paint are made of stainless steel and are therefore also suitable for water-based paints.

Miscellaneous accessories



Paint nozzle key	Part no.
Applicable for spray guns S-7, S-333	51067067



hinge wrench	Part no.
Applicable for spray guns S-8, S-7MD	63253272



Broad jet connection	Part no.
Applicable for spray guns S-233, S-333	53104080



Adjustment of broad jet	Part no.
Applicable for spray guns S-233, S-333	53012250

Spray Gun Accessories

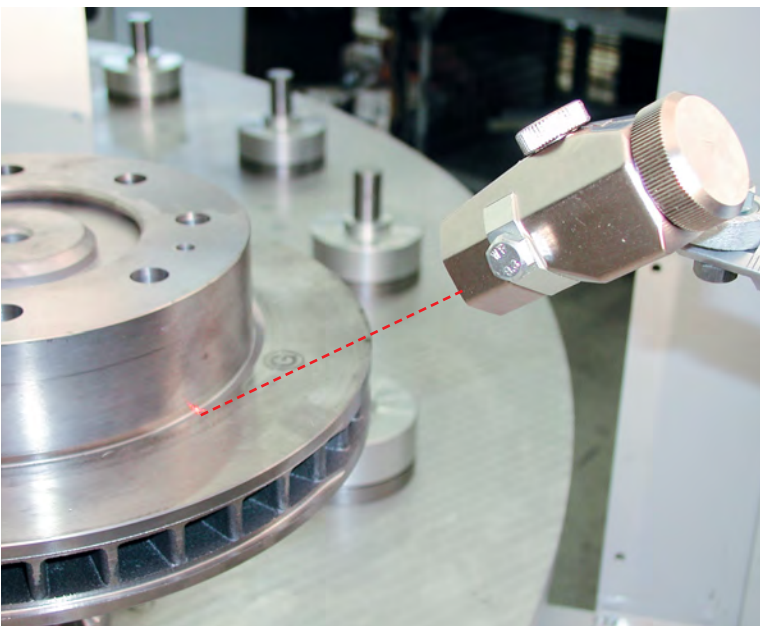
Dump valve



The Sprimag dump valve facilitates the rinsing of the spray gun in all systems using a single circuit feed e.g. 2K-/3K-units with automatic scheduled pot rinsing. The dump valve opens and closes the return flow. The material and solvent can flow quickly. The cleaning time is reduced significantly. Contamination of the spray booth is also reduced by returning the rinsing solvent back to a dump container.

Dump valve	Part no.
for S-233 and S-333	52156873
for S-704 and S-704S	52334963

Laser pointer adjustment aid



Adjustment aid for the exact adjustment of the spray jet by means of a laser pointer. Compatible with the reproducible spray gun holders for S-233, S-333, S-7 and S-7S.



Laser pointer adjustment aid	Part no.
for S-233 and S-333	52331520
for S-7 and S-7S	52335205

3 SPRAY GUN ACCESSORIES AND EQUIPMENT

Spray gun cover



To protect the spray gun from coating contamination, we have developed a special protective cover. The cover is tailored exactly to the Sprimag spray guns and fits all models.

Spray gun cover	Part no.
	63205970

Toolkit for spray guns



With the toolkit for Sprimag spray guns you always have the right tool available to maintain and operate your spray gun optimally.

Includes

- 3 cylinder brushes Ø 6, 8, 10 mm
- 12 needles for nozzle cleaning
- Outside cleaning brush
- Cleaning brush for spray gun body (inside)
- Cleaning brush for small nozzle bores > 0,1 mm

Toolkit for spray guns	Part no.
	63211563

Sprimag chain oil Typ-S 300

Sprimag Spezialkettenöl Typ-S 300



High-temperature chain oil exclusively for Sprimag's internal coating dryer

Sprimag chain oil Typ-S 300	Part no.
20 l canister	51104651

sprimalube F1A

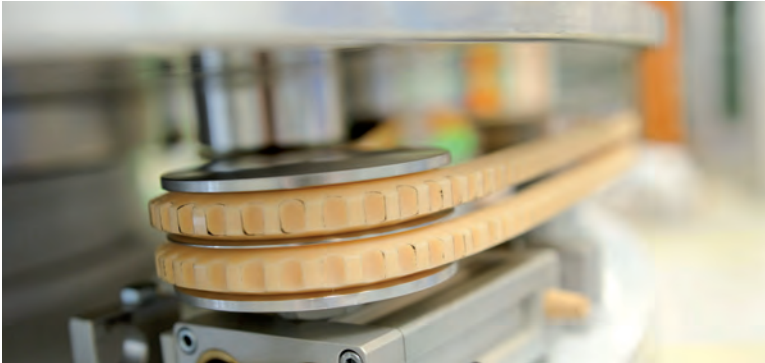


The synthetic high-performance lubricant is designed for a temperature range of -60 to 130°C and is ideal for application technology. Due to the fully synthetic and dynamic light structure of the grease, maximum operating speeds can be achieved with the spray guns.

sprimalube F1A	Part no.
4 g tube	63270157

4 EQUIPMENT ACCESSORIES

V-belts



V-belts	Part no.
Non-toothed (standard)	63205978
Toothed (only for smallest redirection wheels)	63200024

Please specify the desired length with your order / inquiry.

Starter tool kit



With our starter kit you always have available those tools necessary for professional work.

The Sprimag starter kit includes:

- Tool roll case
- Extraction tool for S-7S air distribution ring
- Thermometer to measure the paint temperature
- Stopp watch
- Viscosity metering cup
- Gloves
- Keys for HVLP nozzles
- Allen key 1.5 mm, 2.5 mm und 3 mm to adjust the scale ring
- Cleaning brush
- Brush for nozzles
- Allen key 4 mm
- Open end wrench SW 3.2 and 5
- Ring open end wrench size 10, 11, 12, 13, 14, 17
- Cylinder brushes 8 mm und 10 mm

Starter tool kit	Part no.
	52161000

Paint stop filter mat



Paint stop filter mat	Part no.
100 mm thick, 20 m roll 1.524 mm wide	51067893



Paint stop filter mat	Part no.
50 mm thick, 20 m roll 1.016 mm wide	50082040

Various pocket filters available on request

5 MATERIAL SUPPLIES



Paint and lacquer supplies continue to become increasingly more prominent in coating systems. By selecting the correct accessories, mistakes in the coating process can be avoided, processes improved and simplified, all while reducing production costs. Sprimag offers a complete range of material supplies for the optimal coating solution, from a small volume spray gun to high level mixing units.

Our products comply with the European ATEX directive 2014/34/EU

2K-/3K-Mixing unit – spriMix II



Sprimag multi-component mixing units have already been used successfully for ten years. The spriMix units offer uncompromising accuracy, especially with discontinuous coating, when several application systems are used simultaneously or with low output volumes. This ensures maximum coating efficiency with all layer requirements. The spriMix II is equipped with quality Coriolis flowmeters and guarantees precise and constant mixing. The new Sprimag mixing unit generation impresses customers with its compact design, intuitive operation, high process reliability and shorter cleaning and rinsing times.

Advantages of the spriMix II

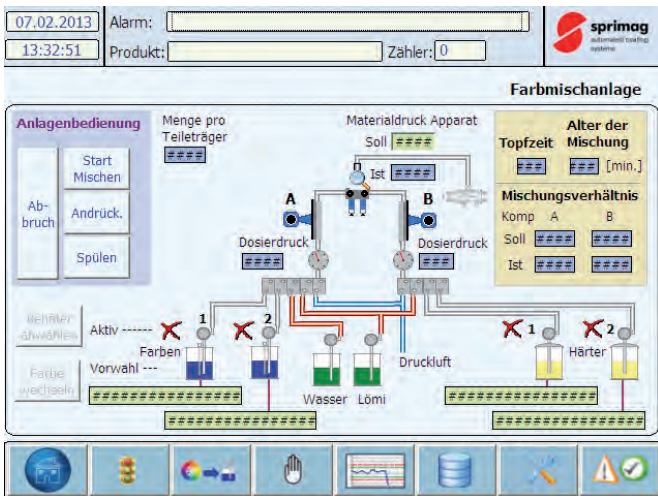
- Uncompromising accuracy
- Intuitive operation with graphic display and touch screen
- Mixing control unit can be integrated completely in the control system
- Optimized software with user-defined rinsing sequences, a VOC meter and an integrated help system
- Databases for paints, hardeners, thinners and rinsing sequences
- Process data storage
- Increased process reliability through dead space-optimized components
- Reduced rinsing and pressing times
- Easy inspection and cleaning
- Easy change of different paints
- Compact design needs less footprint
- Future expansion or feature updates of spriMix systems are easily possible
- Simple remote maintenance by modem

sprMix II

with color change system

Only available in combination with a Sprimag coating machine

User interface sprimix II



The 100 % system integration enables at the control of the coating machine:

- Material volume flow adjustment of the spray gun
- Setting the mixing proportions
- Pot life monitoring with advance warning times
- Recording the consumption amount per coating project
- Cleaning with automatic rinsing program
- Recipe management
- Paint exchange
- And much more

Mixing Unit



The Sprimag mixing unit ensures material guidance with minimal dead space from the dosing valve through the mixing block and the mixing chamber. Advantages for customers in the production process: Precise paint applications, minimum maintenance times and costs, lower reject rates and increased machine availability through an uncompromising design of all moving parts. Optimized cleaning results enable customers to use different paints in a mixing unit in an even more flexible manner.

Technical Data

- Material allowed up to 16 bar
- Material guidance channels $D_i=4,2$
- All material guided parts made of stainless steel and solvent-resistant plastic
- In addition for dosing of third solvent component
- For lacquer, hardener, solvent
- Weight: 4.9 kg as shown above

Advantages Mixing block

- Optimal material guidance channels
- No dead space
- Easy cleaning
- Simple removal
- Self-de-airing

Intended use

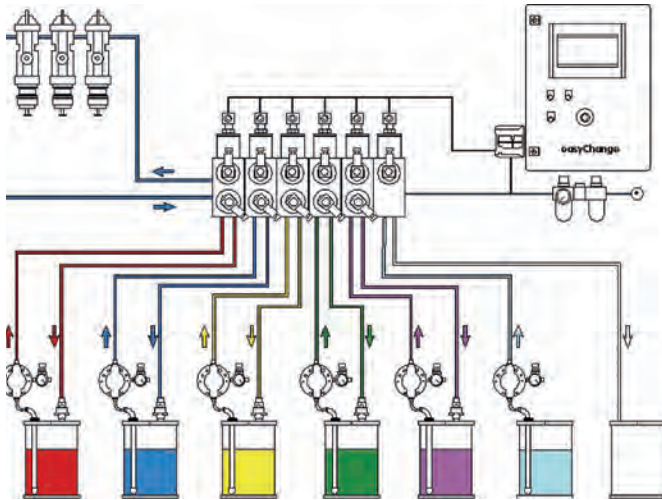
- Discontinuous mixing of 2 and 3 components material
- Mounting into the new mixing device generation sprimixII



Mixing Unit	Part no.
2-K mixing Block with 2 dosing valves	63208712
Dosing valve for mixing unit DV-111 with one paint hose connection (stub line)	63211546
Dosing valve with outlet DV-122 with paint circulation, perfect for dosing on backing rollers	63219274
Mixing chamber	52160306
Wear part kit	63211574

5 MATERIAL SUPPLIES

easyChange color change system



With easyChange you will receive a concept for an integrated quick and clean color change. easyChange has been designed for the use with automatic coating systems and is also applicable for rinsing only.

Characteristics

- Circulation of paint through the spray gun
- Paint changing elements and valves made of stainless steel
- All seals are solvent resistant
- Tubing made of FEP or PA
- Water- or solvent-based coatings can be used
- Rinsing cycle freely programmable for each coating agent
- PLC control with touch panel
- Control system fully integrated into the system HMI

easyChange color change system	
with color change system	Only available in combination with a Sprimag coating machine.

Media valves – easyValve NC



The easyValve NC is a normally closed, pneumatically controllable 2/2-way valve.

It is suitable for paints, hardeners, compressed air, water and solvents. It is used in combination with Sprimag valve blocks.

Advantages at a glance

- Very good separation of the medium and compressed air areas due to large leakage window
- High production reliability
- Uncomplicated cleaning and disassembly
- Extremely low pressure losses in the media flow
- Individual serial number
→ A maintenance history can therefore be generated

easyValve NC	Artikel-Nr.
easyValve NW7 NC	63259435
Wear part kit for easyValve NW7 NC (Please request content)	63279711

Small volume supply unit



For small paint volume – up to 6 liters. The circulation as well as the stirrer blade are optimized to avoid sedimentation of the paint in the container. As paint and solvents are saved during the changeover of paint and rinsing process, the environmental impact is significantly reduced. Furthermore, the application and handling of the 6-l-material supply is very easy. Needless to say, the material supply is also suitable for water-based paints.

Consisting of

- Rack with drain tray
- Sprimag diaphragm pump
- Material pressure regulator + back pressure regulator
- Circulation filter
- Optional: with pneumatic stirrer
- Optional: fill level sensor
- Color funnel 10/6 liters

Small volume supply unit	Part no.
without stirrer	63205342
with stirrer	63205340

Stirring unit



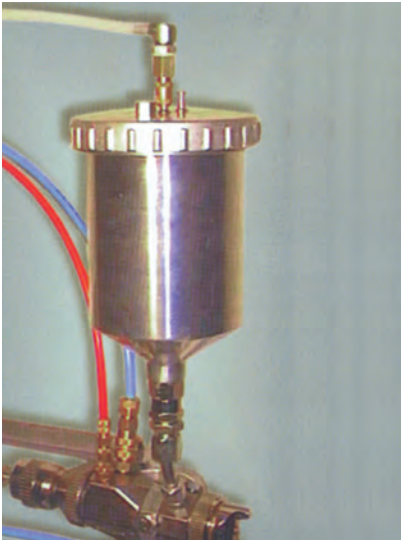
With the help of the stirring unit the next paint can be prepared in parallel to ongoing production.

A single-module consists of

- 1 lifting device with drain tray
- Pneumatic stirring unit
- Suitable for container 20 / 25 and 30 l

Stirring unit	Part no.
single	63204932
double	63204934

Pressure cup on spray gun



For Installation on S-233 or S-333
alternative: Hose connection to the spray gun

- 0.7 l version

	Part no.
Pressure cup	52116062
Wall mount	63214462

Material supply compact with paint heater



Consisting of

- Double diaphragm pump
- Flow-type heater with temperature control
- Filter
- Material pressure regulator
- Return flow regulator
- Autoclave on request

Advantages

- Process consistency through constant viscosity
- Saving of solvents
- The suction is done directly from the supply container
- Improved atomization for highly viscous paint
- Especially suitable for high viscosity paint or paints with a reduced solvent ratio

Options

- Leak detection monitoring system or external temperature control
- Special versions on request

This material supply is suitable for coating agents which are processed at a temperature of between 30° to 80° C.

Material supply with paint heater	Part no.
with 1 set of controller for 1 circulation	63200989
with 2 sets of controllers for 2 circulations	63200934
with 3 sets of controllers for 3 circulations	53128623

5 MATERIAL SUPPLIES

Material supply with pneumatic swiveling lid lifting mechanism max. 30l basic version



A single module consists of

- Lifting device swiveling with drain tray for 2 containers
- Pneumatic stirring unit up to 250 U/min
- Control terminal
- Sprimag diaphragm pump
- Material pressure regulator + fluid back pressure regulator
- Material filter
- Suitable for container 20/25/30l

Advantages

- Quick change of paint
- Short cleaning times
- Re-fill without production downtimes
- Processing out of supplier delivered containers
- No loss of paint due to circulation and stirring unit
- All parts coming in touch with the material are made of stainless steel

Options on request

- Monitoring of liquid level

Material supply	Part no.
30 l basic version	63204881

Material supply with lid lifting mechanism 200 l basic version



A single module consists of

- Lifting device with drain tray
- Pneumatic stirring unit up to 250 U/min
- Control terminal
- Sprimag diaphragm pump
- Material pressure regulator + fluid back pressure regulator
- Material filter
- Suitable for 200 l standard container

Advantages

- Disc stirring unit ensures good mixing
- Easy change of the paint barrel by completely lifting all components using the lifting unit
- Easy cleaning thanks to easy accessibility
- Optimal control of the spray pressure by precision pressure regulators
- Paint circulation with integrated line-filter

Options on request

- Monitoring of liquid level

Material supply with lid lifting mechanism	Part no.
200 l basic version	63220249

Further information available in our brochures for internal coating and functional/decorative coating

6 MATERIAL PRESSURE REGULATOR

Fluid pressure regulator and fluid back pressure regulator



Flow pressure regulator (VL)	Part no.
With solvent-resistant plastic coating	52161859
Without solvent-resistant plastic coating	52162423
Carbide version	63217641

Backflow pressure regulator (RL)	Part no.
With solvent-resistant plastic coating	52161869
Without solvent-resistant plastic coating	52162424
Carbide version	63245581

Optimized pressure regulator for applications in single and multi component paint systems

Sprimag completes the range of application technology with a new material pressure regulator. The aim of conception was to combine the different aspects: function, maintenance and flexibility without compromise.

Features

- Rinsing optimized internal cavities with minimal dead spots
- All material transporting components are made of stainless steel or solvent-resistant plastic
- Set point setting via pressure air, to preserve the diaphragm surface
- Precise regulation through large diaphragm and low friction valves
- Easy separation for maintenance/cleaning (using standard tools)
- Integrated 1/4" connection for hygienic pressure monitoring
- Pressure sensor available on request
- As pre- or back pressure regulator version available with the greatest possible number of equal parts
- Several mounting possibilities for optimal arrangement
- Maximum inlet pressure up to 16 bar
- Diaphragms resistant to solvents

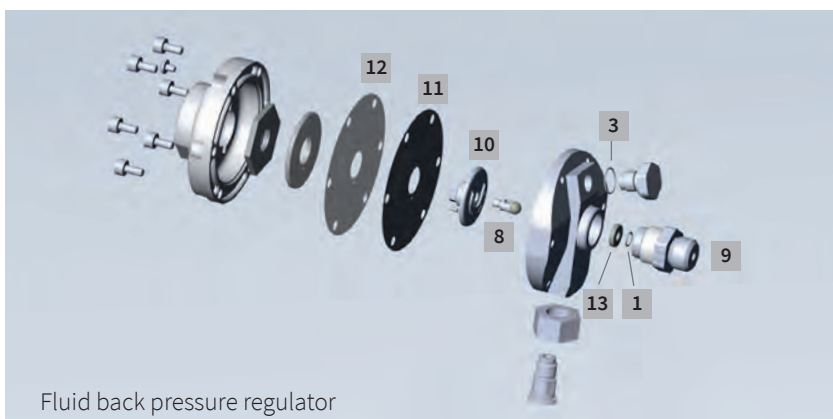
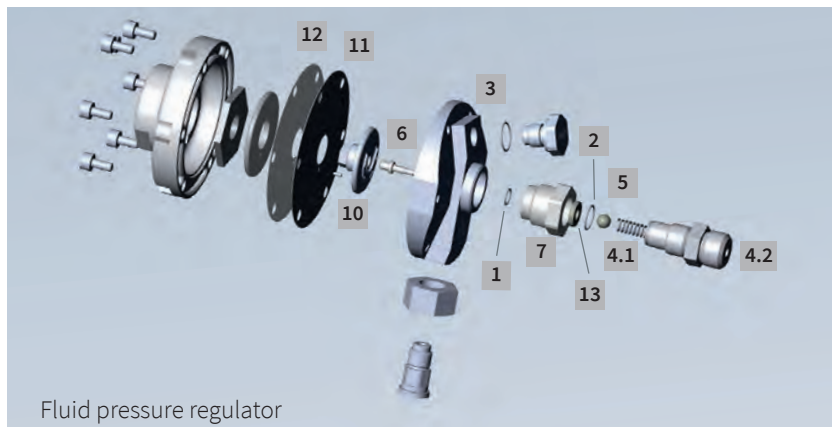
Spare parts and wear part kits for Sprimag material pressure regulator

Pos.	Description	Part no.
1	O-Ring 8x1 solvent-resistant plastic	51202128
2	O-Ring 13x1 solvent-resistant plastic	51095241
3	O-Ring 15x1 solvent-resistant plastic	51202129
4.1	Spring	51203233
4.2	Spring housing	52161868
5	Valve ball for carbide version	63214158
6	Rod type A	52161865
6	Rod type C for carbide version	63214157
7	Seal seat body	52161867
8	Rod type B	52161872
8	Rod type D for carbide version	63245613
9	Seal seat	52161871
10	Index pin 2m 6x4	51202958
11	Diaphragm	51202956
12	Support disc	51202966
13	Seal set carbide version	63214156

Wear part kit flow pressure regulator (VL)	Part no.
Consisting of items 1-7, items 10-13 and small wrench SW 3.2	52162451
Wear part kit VL carbide version	63217647

Wear part kit backflow pressure regulator (RL)	Part no.
Consisting of items 1 and 3, items 8-13 and small wrench SW 5	52162452
Wear part kit RL carbide version	63246429

Diaphragm set	Part no.
Consisting of diaphragm and support disc	52162434



7 PUMPS

Diaphragm pump MP-SP2



The diaphragm pump MP-SP2 developed by Sprimag has been designed for a discharge flow of up to 6 l / min and a material pressure of 16 bar. This double diaphragm pump with a transmission ratio of 1:1 is especially suitable for gentle conveyance of the most sensitive paints. A change-over valve without dead point in connection with ball valves working in special guides guarantees minimal pulsation with respect to flow.

A Sandwich diaphragm made of solvent-resistant plastic with a completely integrated metal guarantees a long service life when processing most common paint / solvent combinations. With respect to fluid flow the fluid chamber was designed with minimal dead space, greatly facilitating the rinsing process. In combination with an optionally available special solvent-resistant coating of the interior, this pump currently represents the optimum in rinsability compared to other systems.

Design characteristics

- High reliability through robust stainless steel construction; 1:1 principle, through which the diaphragms are not overstrained by too high pressure differentials; oil free brass air control valve; absolutely protected against dry running damage by adjustable dry running strokes by the inlet air throttle valve
- Through the inlet air throttle valve a smooth start and optimal-suction behavior are delivered
- High maintainable operating pressure (up to 16 bar)
- Minimal pulsation by a special valve design, whilst retaining excellent suction behavior
- Optimal rinsing through the design of the chambers. Optional additional coating of the chambers with an anti-adhesive coating based on solvent-resistant plastic available (also repairable)
- Easy to maintain , limited number of parts, reusable seals and exchangeable valve sets.
- Fluid connections easily rotatable in 90° steps
- Restart Button

Diaphragm pump MP-SP2	Part no.
1 Standard	52159413
2 Side cap and valves coated with solvent-resistant plastic	52158399
3 Special pump bonding optimized	52161580

Technical Data

- Max. capacity (water) ~ 6.0 l / min
- Volume per stroke ~50 ml
- Max. supply air pressure 16 bar
- Max. material pressure 16 bar
- Transmission ratio 1:1
- Max. stroke rate (double strokes) 60 l / min.
- Max. consumption of air (for 16 bar / 6.0l / min) 360 NI / min.
- Average consumption of air (for 16 bar / 0.5l / min) 29 NI / min.
- Fluid connections R 1 / 2"
- Max. diameter of solids (e. g. for filter press applications) 2 mm
- Range of viscosity 1 up to ~5000 mPa*s
- Max. fluid / compressed air temperature 80 °C
- Measurements LxWxH (without connections) 156 x 154 x 254 mm
- Weight ~ 13 kg

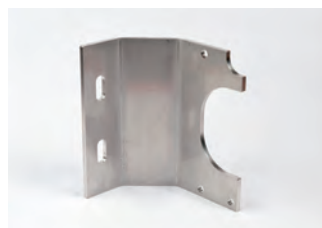
Accessories diaphragm pump MP-SP2



Air connector fitting	Part no.
	52159405



Fluid Fittings	Part no.
	52160354



Holder for pump	Part no.
	52154284

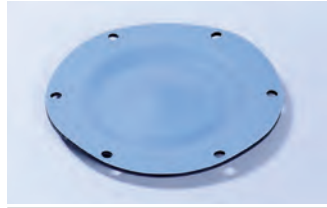


Holder for filter	Part no.
left	52159401
right	52161652

Spare parts diaphragm pump MP-SP2



Wear part kit	Part no.
For Pump 1, 2	52159404
For Pump 3	52161581



Diaphragm 1 pcs.	Part no.
	51201460



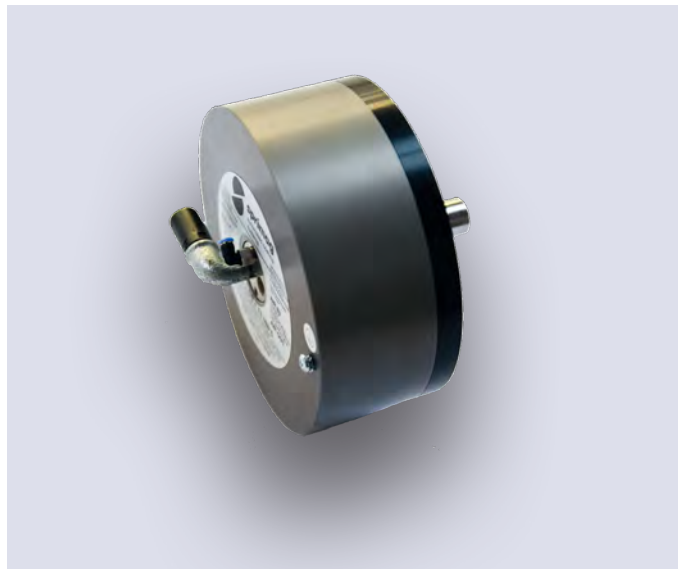
Control valve	Part no.
	52159410



Exchange parts	Part no.
Restart Button	63219796
Central block for restart button (with diaphragms and piston rods, no control valve)	63219892

8 AIR MOTOR

Air Motor easyDrive 1800



- Pneumatic radial piston engine for Sprimag stirring unit
- Working pressure 6 bar
- Maximum idle speed about 230 U / min with built-in supply air throttling nozzle
- Right or left turn
- Oil-free air

Options on request

- Manual supply air throttle valve for continuous control of the speeds
- Various stirrers

Air motor (stirring unit)	Part no.
Air motor	51094500
Wear part kit	63216567

Stirrers



Standard model

Advantages

- Smooth operation
- Vertical mixing from the top to the bottom along the shaft



Disc model

Advantages

- Highest efficiency at low speed
- Highly recommended for paints with tendency to sedimentation (e.g. zinc-dust paint)

Sizes on request

9 MATERIAL FILTER suitable for paint, curing agent, solvent, water

Inline filter



Inline in front of the spray gun, especially used with paint mixing units without paint circulation.

Type	Description		Part no.
Body	Stainless steel, non-stick coated, 1/4" connection thread		52161666
Filter screen (Filter surface 24 cm ²)	50 µm	silver	51201653
	75 µm	red	51099701
	100 µm	blue	51099702
	150 µm	yellow	51099703
	240 µm	white	51099704
	410 µm	green	51200557
Spare parts	Body sealing		52157512
	Anti pressure spring		51200437

Circulation filter



Installed behind the supply pump, especially for the use with systems with long stationary times.

Type	Description		Part no.
Body	Stainless steel, 3/8" connection thread		52158506
Filter screen (Filter surface 78 cm ²)	60 µm	No 1	52160321
	90 µm	No 4	51200371
	140 µm	No 5	51200372
	190 µm	No 6	51200373
	240 µm	No 9	51200374
	320 µm	No 12	51200375
Spare parts	Body sealing		52158509
	Anti pressure spring		51200377
	Centering cone		52157529
Optional	Support spring for filter screen		63258215

ORDERING IS AS SIMPLE AS THAT!



By e-mail:

Please send an e-mail with the article numbers and your machine number (for regular customers) to:

E-Mail: parts@sprimag.de



By Phone:

Phone +49 (0) 70 21 / 579-330



For regular customers:
Please indicate your
machine number!

If you are interested in a product which is not shown in this brochure, please do not hesitate to contact us. We would be glad to also help you with special versions.

Sprimag Spritzmaschinenbau GmbH & Co. KG

Henriettenstraße 90
D-73230 Kirchheim / Teck · Germany
Tel. +49 (0) 70 21 / 579-0
Fax +49 (0) 70 21 / 579-107
www.sprimag.com
info@sprimag.de

Sprimag, Inc.

9965 Cincinnati-Dayton Road
West Chester, OH 45069 · USA
Tel. +1 (0) 513 - 779 - 57 30
Fax +1 (0) 513 - 779 - 57 39
www.sprimag.com
info@sprimag.com

Download the Brochure



<https://www.sprimag.com/en/downloads>



2024 / 2025

V1.4_2024_en